

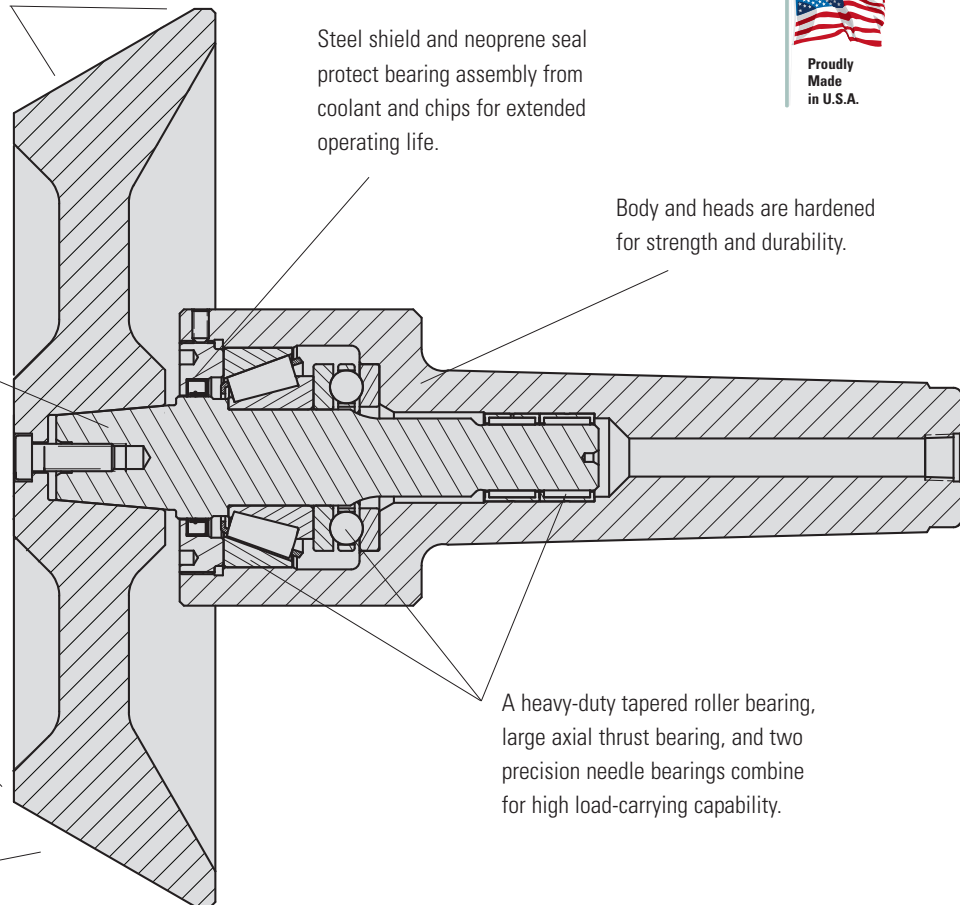
ROYAL “OIL COUNTRY” BIG-BORE BULL HEAD LIVE CENTERS

The major and minor diameters of each head extend above and below nominal sizing – enabling each head to **cover a wider range of workpieces.**

Large capacity modular heads securely locate on a precision tapered shaft for maximum accuracy and rigidity.

± 0.00025 " TIR guaranteed.

Head angle is $60^\circ \begin{smallmatrix} +15 \\ -0 \end{smallmatrix}$ for proper part engagement.



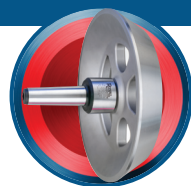
Steel shield and neoprene seal protect bearing assembly from coolant and chips for extended operating life.

Body and heads are hardened for strength and durability.

A heavy-duty tapered roller bearing, large axial thrust bearing, and two precision needle bearings combine for high load-carrying capability.



- ❑ Designed **specifically for machining large diameter pipes for the oil and gas industry**, but suitable for all large-bore applications.
- ❑ In contrast to standard bull head live centers, the modular head design of Royal “Oil Country” Big-Bore centers positions the workpiece closer to the bearing assembly for greater rigidity and longer operating life.
- ❑ Interchangeable **heads are relieved to achieve the optimal strength/mass ratio**, and are sized to cover a wider range of bore sizes with fewer models.
- ❑ Bearing configuration consisting of a heavy-duty tapered roller bearing, a large axial thrust bearing, and two precision needle bearings provides exceptional accuracy and rigidity under the most demanding production conditions.

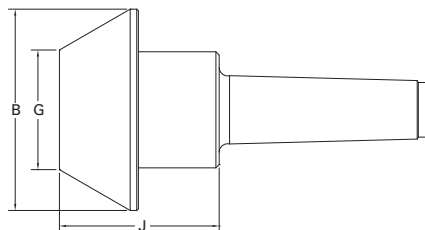


ROYAL “OIL COUNTRY” BIG-BORE BULL HEAD LIVE CENTERS

Specifications

| TAPER | HEAD PART NUMBER | B | G | J | MAX SUGGESTED RPM* | WEIGHT OF WORKPIECE (LBS.) | THRUST LOAD (LBS.) |
|-------|------------------|-------|-------|------|--------------------|----------------------------|--------------------|
| 5 MT | 10791 | 4.62 | 1.63 | 5.31 | 2,050 | 4,500 | 2,650 |
| 5 MT | 10792 | 7.37 | 4.38 | 4.59 | 1,300 | 4,500 | 2,650 |
| 5 MT | 10793 | 10.12 | 7.13 | 4.59 | 950 | 4,500 | 2,650 |
| 5 MT | 10794 | 12.87 | 9.88 | 4.59 | 750 | 4,500 | 2,650 |
| 5 MT | 10795 | 15.62 | 12.63 | 4.59 | 600 | 4,500 | 2,650 |

| TAPER | HEAD PART NUMBER | B | G | J | MAX SUGGESTED RPM* | WEIGHT OF WORKPIECE (LBS.) | THRUST LOAD (LBS.) |
|-------|------------------|-------|-------|------|--------------------|----------------------------|--------------------|
| 6 MT | 10791 | 4.62 | 1.63 | 6.57 | 2,050 | 11,000 | 3,500 |
| 6 MT | 10792 | 7.37 | 4.38 | 5.85 | 1,300 | 11,000 | 3,500 |
| 6 MT | 10793 | 10.12 | 7.13 | 5.85 | 950 | 11,000 | 3,500 |
| 6 MT | 10794 | 12.87 | 9.88 | 5.85 | 750 | 11,000 | 3,500 |
| 6 MT | 10795 | 15.62 | 12.63 | 5.85 | 600 | 11,000 | 3,500 |



Royal “Oil Country” Big-Bore Bull Head Live Centers

| TAPER | PART NUMBER | PRICE* |
|-------|-------------|----------------|
| 5 MT | 10782 | \$1,534 |
| 6 MT | 10784 | 2,253 |

* Head not included. Order Separately.

Modular Heads for Royal “Oil Country” Big-Bore Bull Head Live Centers

| HEAD MODEL | B | G | HEAD WEIGHT (LBS.) | PART NUMBER | PRICE |
|------------|-------|-------|--------------------|-------------|--------------|
| A | 4.62 | 1.63 | 7 | 10791 | \$741 |
| B | 7.37 | 4.38 | 18 | 10792 | 1,145 |
| C | 10.12 | 7.13 | 33 | 10793 | 1,777 |
| D | 12.87 | 9.88 | 51 | 10794 | 2,541 |
| E | 15.62 | 12.63 | 65 | 10795 | 4,429 |

“Oil Country” Big-Bore Bull Head Dead Centers Also Available – See Page 105